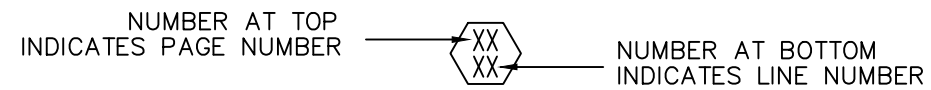


INDEX				
SHEET	DRAWING NO.	DRAWING TITLE	REV.	REV. DATE
1	MLR-UCP-001	INDEX	A1	09/28/2019
2	MLR-UCP-002	UPPER CONTROL PANEL	A1	09/28/2019
3	MLR-UCP-003	SCHEMATIC	A1	09/28/2019
4	MLR-UCP-004	SCHEMATIC	A1	09/28/2019
5	MLR-UCP-005	SCHEMATIC	A1	09/28/2019
6	MLR-UCP-006	SCHEMATIC	A1	09/28/2019
7	MLR-UCP-007	FIELD DEVICE DETAIL	A1	09/28/2019
8	MLR-LCP-008	LOWER CONTROL PANEL	A1	09/28/2019
9	MLR-LCP-009	SCHEMATIC	A1	09/28/2019
10	MLR-LCP-010	SCHEMATIC	A1	09/28/2019
11	MLR-LCP-011	INTERCONNECTION DIAGRAM	A1	09/28/2019
12	MLR-JB-012	JUNCTION BOX LAYOUT	A1	09/28/2019
13	MLR-JB-013	FIELD DEVICE DETAIL	A1	09/28/2019
14	MLR-COMM-014	COMMUNICATION DETAILS	A1	09/28/2019
15	MLR-NP-015	NAMEPLATE DETAILS	A1	09/28/2019

EXAMPLE OF LINE REFERENCES:



NOTES:

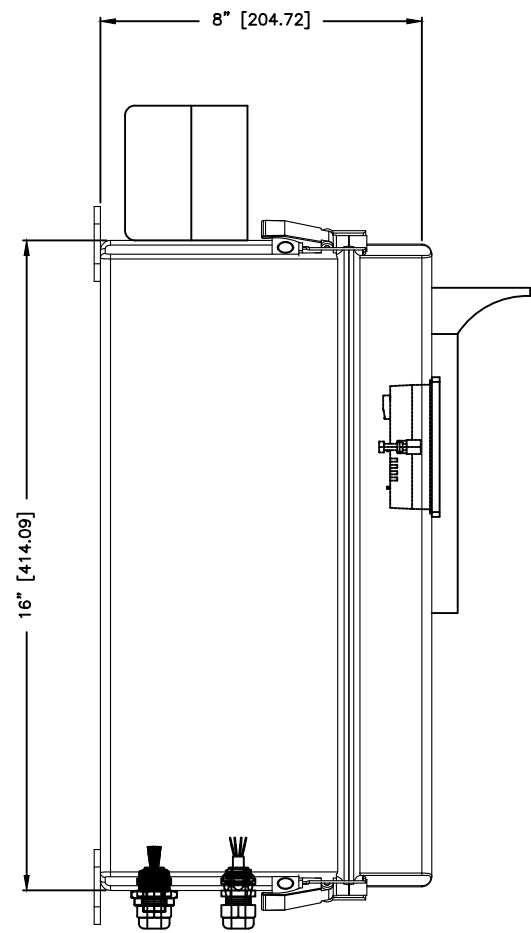
PRODUCT

MULTI-LANE RACER

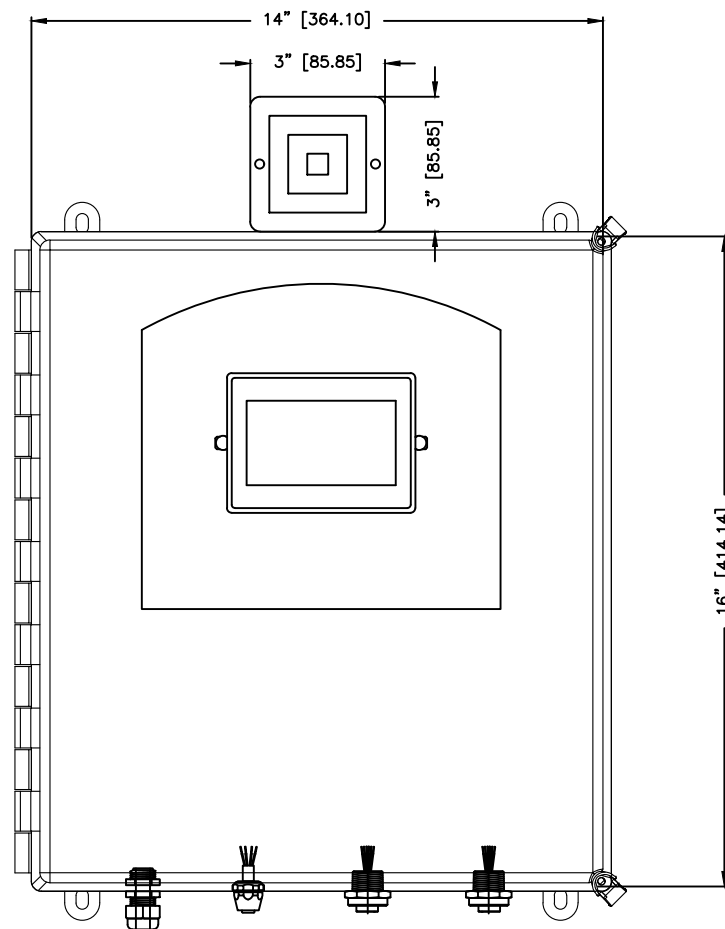


DRAWN	SJF	DATE	09/28/2019	SCALE	NONE	JOB NO.		REV.	A1
CHECKED	JMM	DATE	09/28/2019						
DRAWING TITLE							DWG. NO.		
INDEX							MLR-UCP-001		

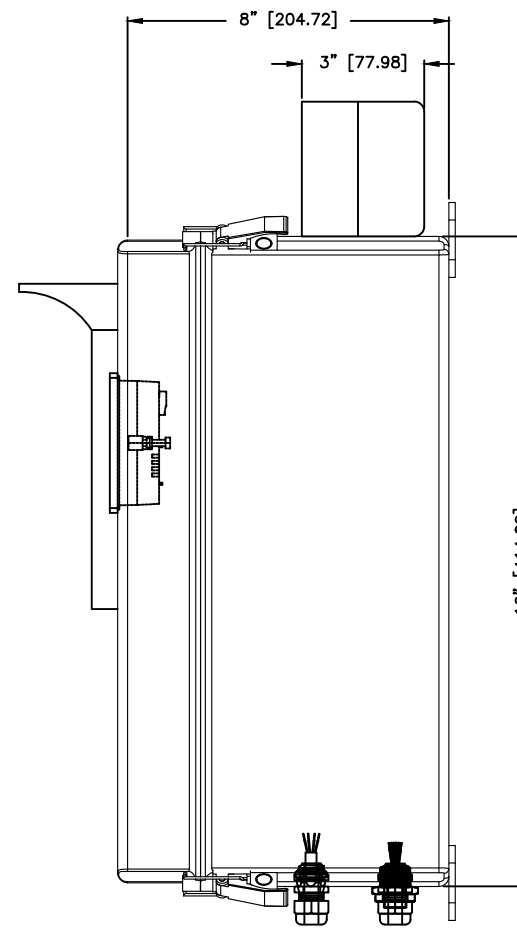
REV.	DATE	DESCRIPTION	BY



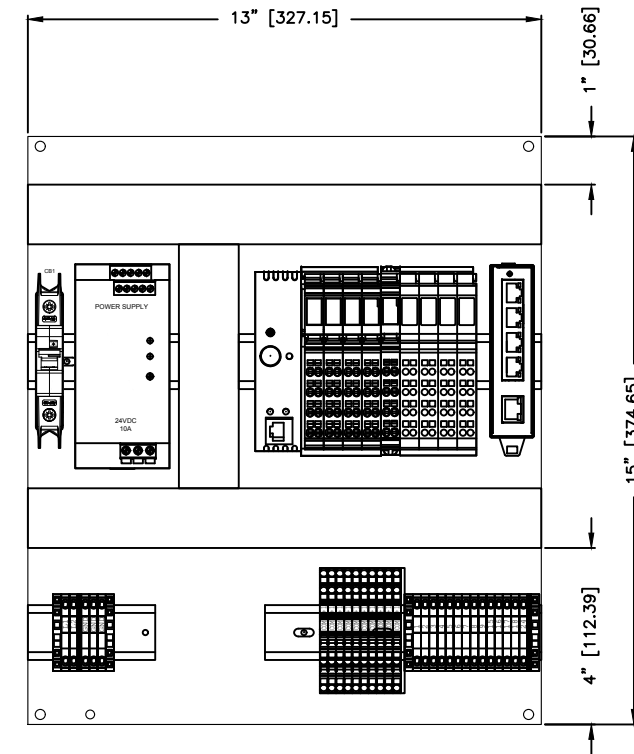
SIDE VIEW



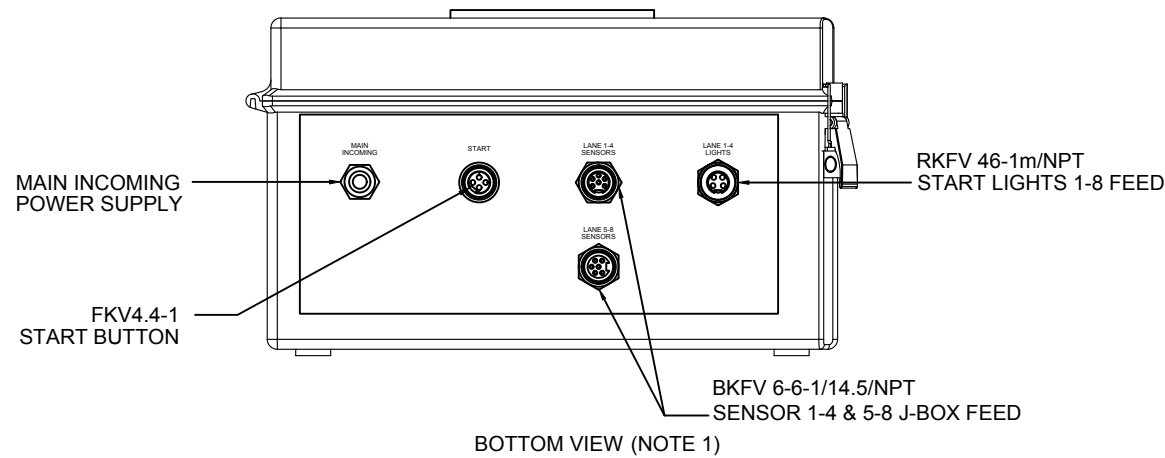
FRONT VIEW



SIDE VIEW



BACK PANEL VIEW



BOTTOM VIEW (NOTE 1)

NOTES: PLEASE REFER MLR-NP-014 FOR ENCLOSURE NAMEPLATE DETAILS.

PRODUCT

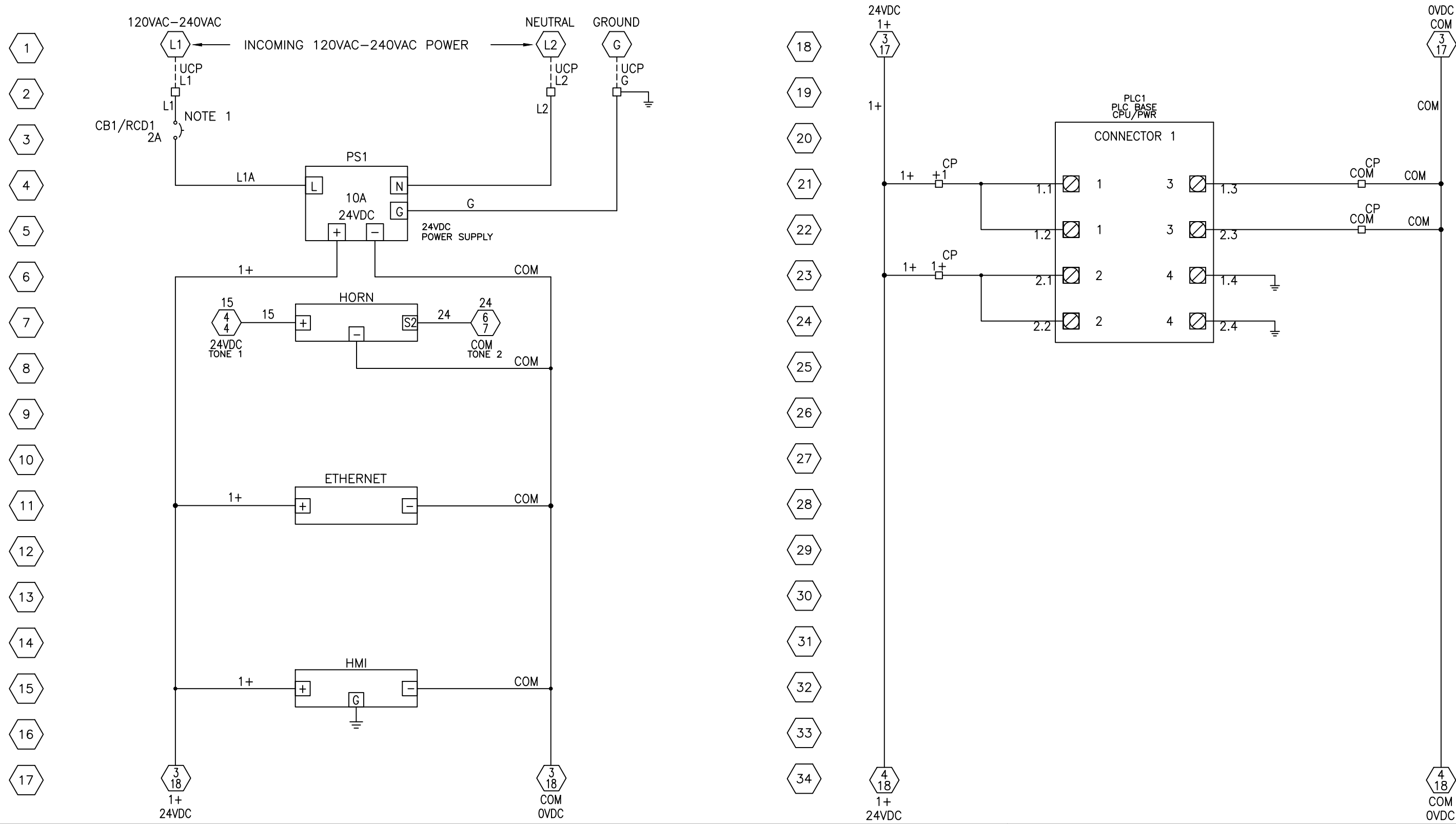
MULTI-LANE RACER



DRAWN	SJF	DATE	09/28/2019	SCALE	NONE	JOB NO.	REV.	A1
CHECKED	JMM	DATE	09/28/2019					

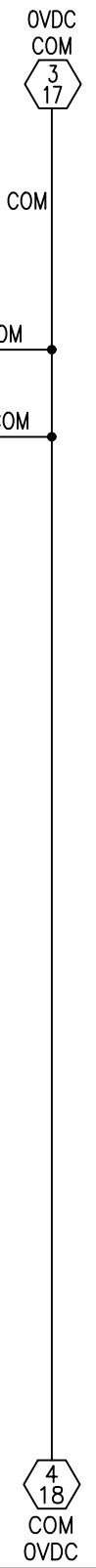
DRAWING TITLE: UPPER CONTROL PANEL DWG. NO.: MLR-UCP-002

REV.	DATE	DESCRIPTION	BY

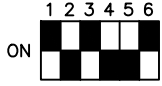


- 1
- 2
- 3
- 4
- 5
- 6
- 7
- 8
- 9
- 10
- 11
- 12
- 13
- 14
- 15
- 16
- 17

- 18
- 19
- 20
- 21
- 22
- 23
- 24
- 25
- 26
- 27
- 28
- 29
- 30
- 31
- 32
- 33
- 34



NOTES: DIP SWITCH SETTINGS FOR TONE SELECTION.



CB1/RCD1 - UL489, 1P, 2A

PRODUCT
MULTI-LANE RACER

DRAWN	SJF	DATE	09/28/2019	SCALE	NONE	JOB NO.	REV.
CHECKED	JMM	DATE	09/28/2019				A1

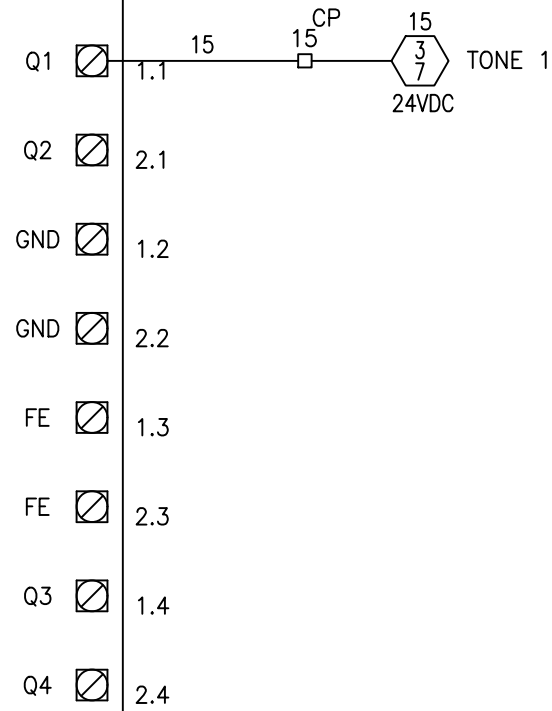


DRAWING TITLE: **SCHEMATIC** DWG. NO.: **MLR-UCP-003**

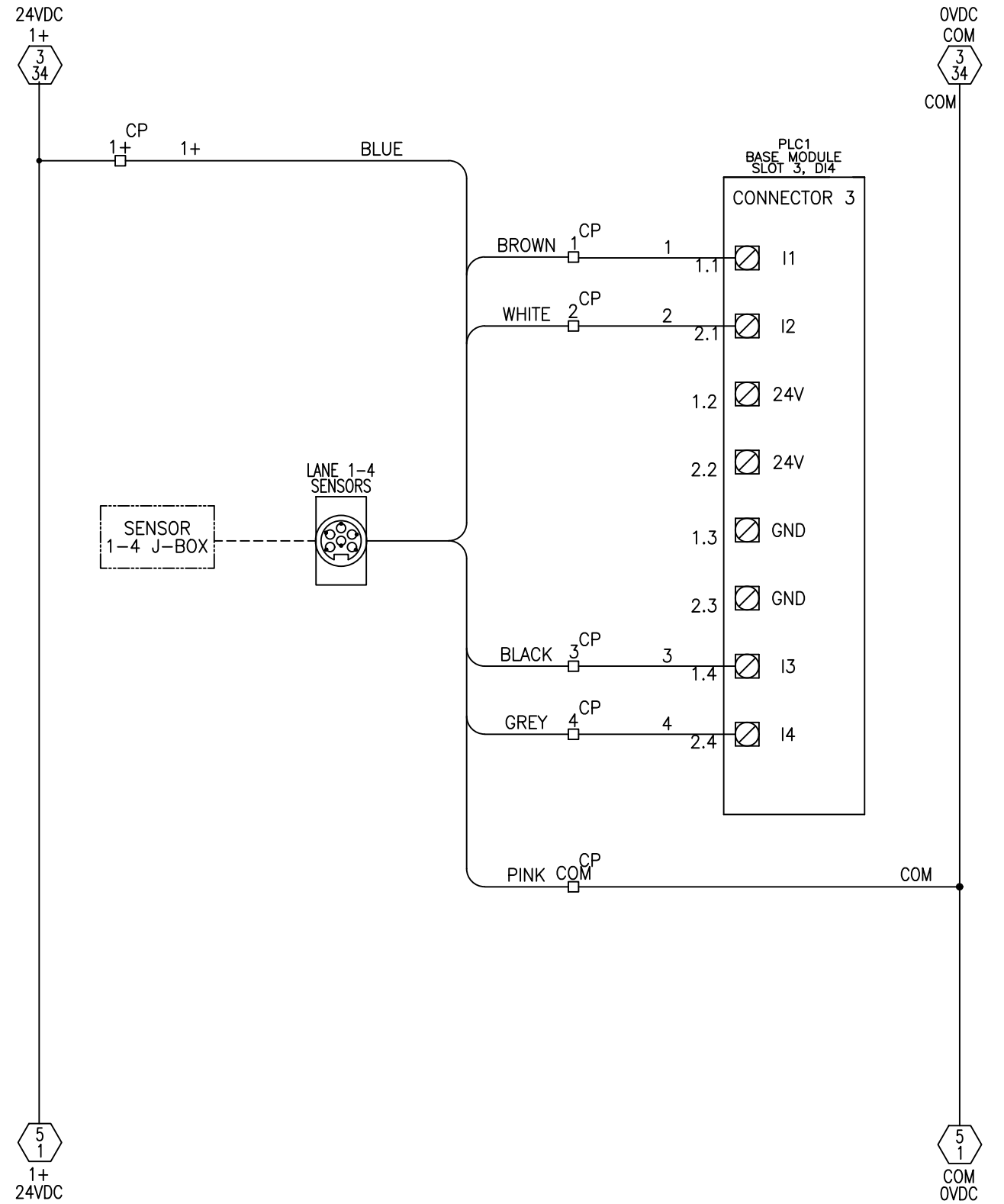
REV.	DATE	DESCRIPTION	BY

- 1
- 2
- 3
- 4
- 5
- 6
- 7
- 8
- 9
- 10
- 11
- 12
- 13
- 14
- 15
- 16
- 17

PLC1
BASE MODULE
SLOT 2, DI4
CONNECTOR 2



- 18
- 19
- 20
- 21
- 22
- 23
- 24
- 25
- 26
- 27
- 28
- 29
- 30
- 31
- 32
- 33
- 34



NOTES:

PRODUCT

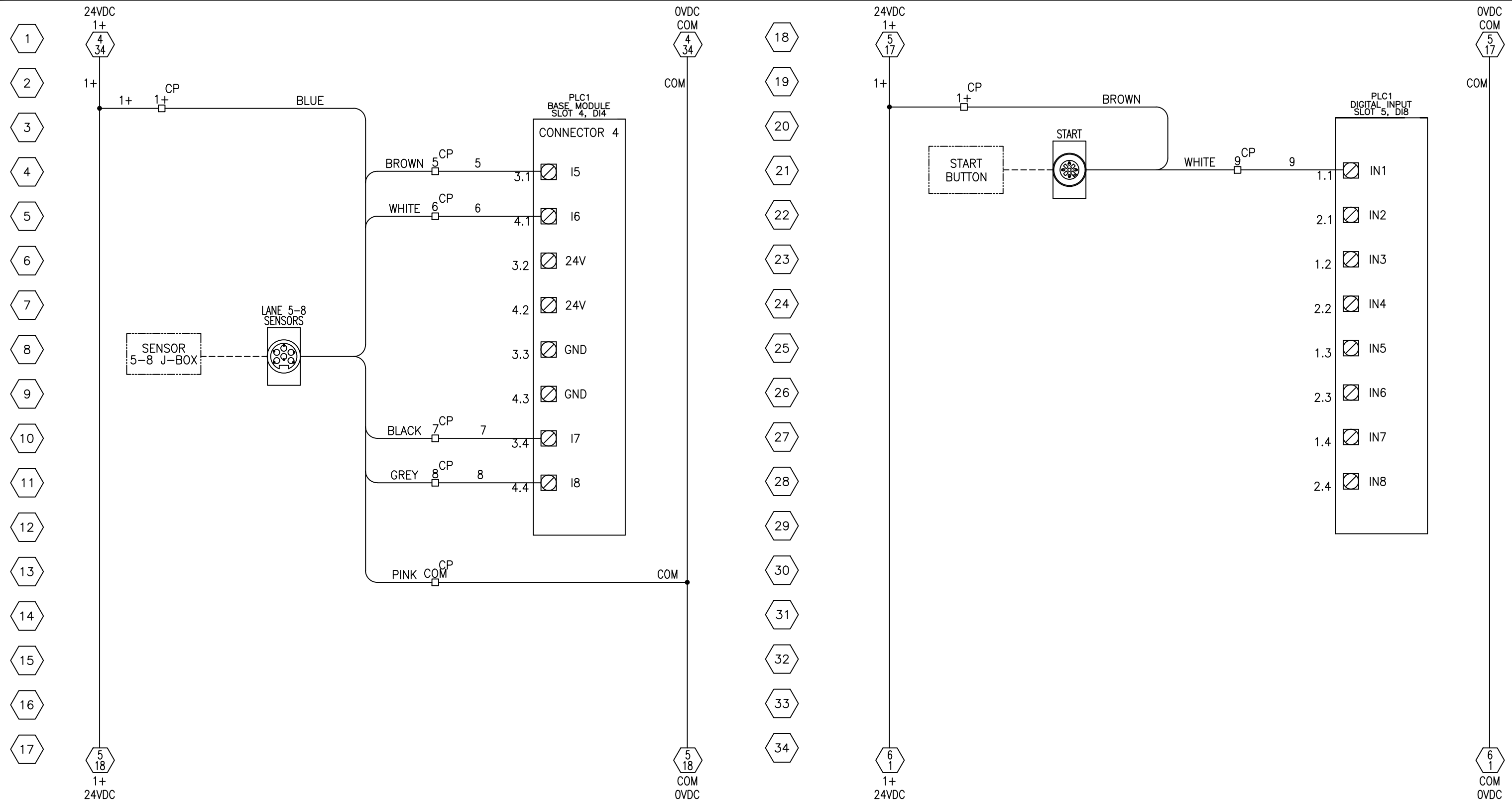
MULTI-LANE RACER

DRAWN	SJF	DATE	09/28/2019	SCALE	NONE	JOB NO.	REV.
CHECKED	JMM	DATE	09/28/2019				A1

DRAWING TITLE: **SCHEMATIC** DWG. NO.: **MLR-UCP-004**



REV.	DATE	DESCRIPTION	BY



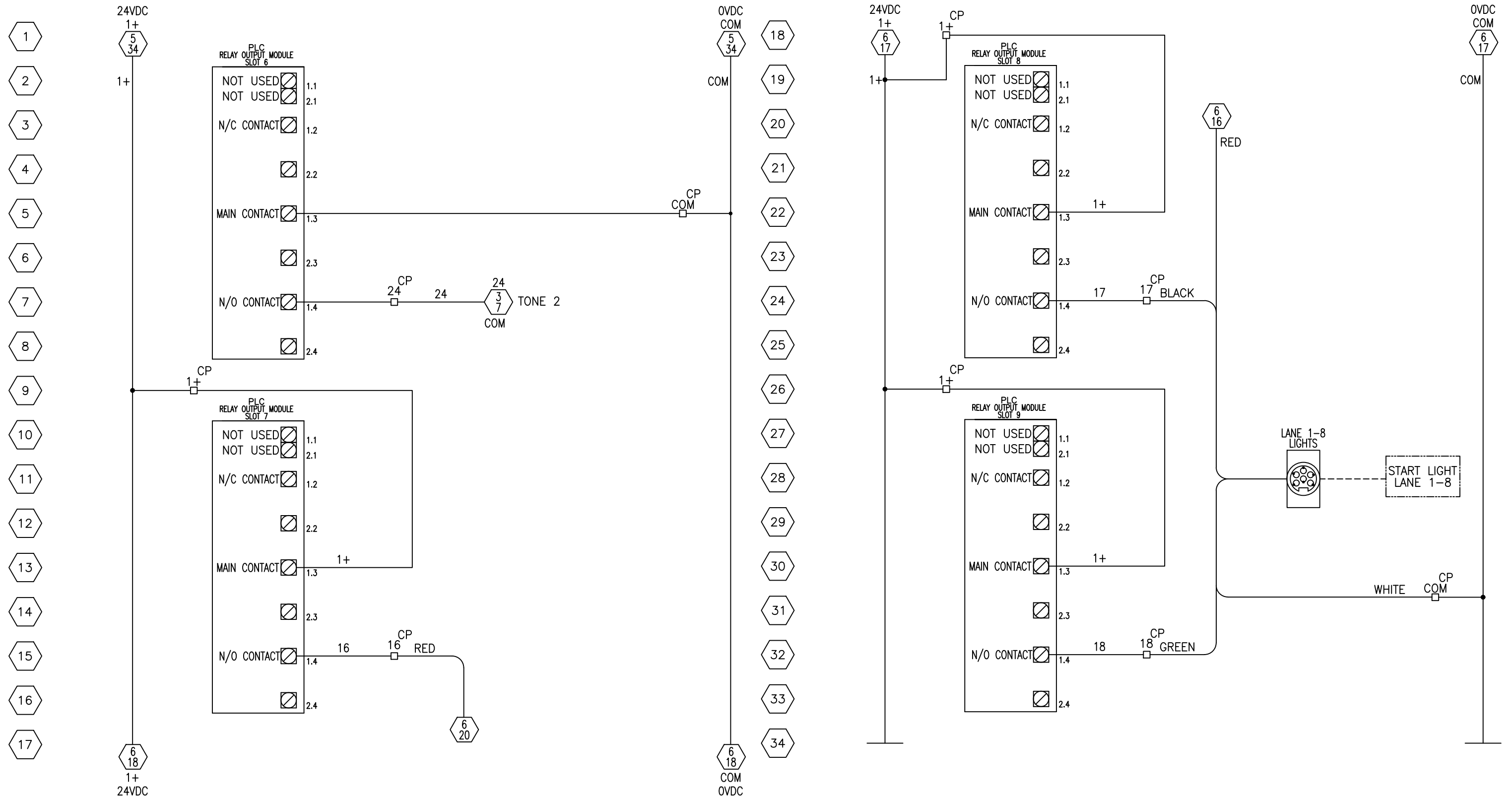
NOTES:

PRODUCT
MULTI-LANE RACER



DRAWN	<i>SJF</i>	DATE	<i>09/28/2019</i>	SCALE	<i>NONE</i>	JOB NO.	REV.
CHECKED	<i>JMM</i>	DATE	<i>09/28/2019</i>				<i>A1</i>
DRAWING TITLE						DWG. NO.	
SCHEMATIC						MLR-UCP-005	

REV.	DATE	DESCRIPTION	BY



NOTES:

PRODUCT

MULTI-LANE RACER

DRAWN

SJF

DATE

09/28/2019

SCALE

NONE

JOB NO.

REV.

A1

CHECKED

JMM

DATE

09/28/2019

DRAWING TITLE

SCHEMATIC

DWG. NO.

MLR-UCP-006



REV.

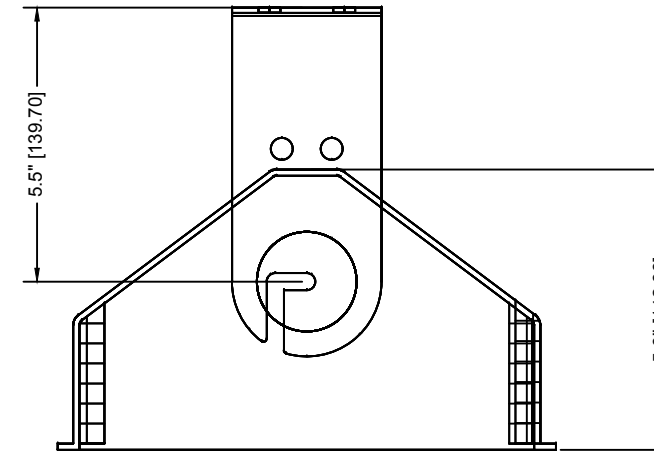
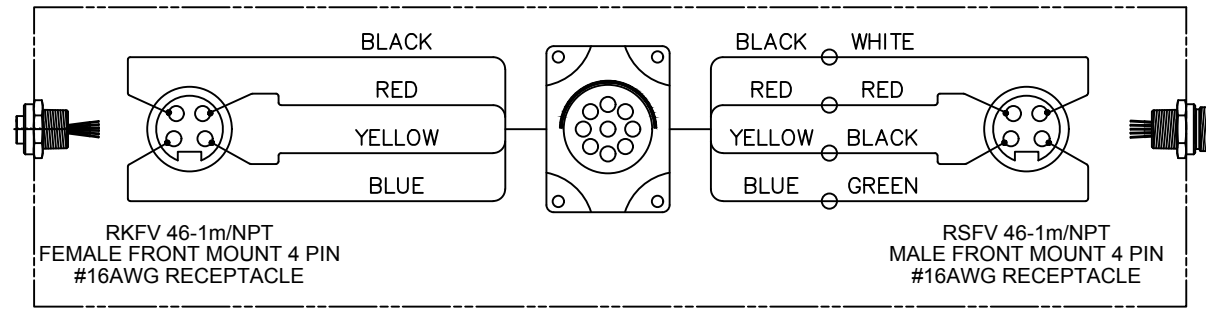
DATE

DESCRIPTION

BY

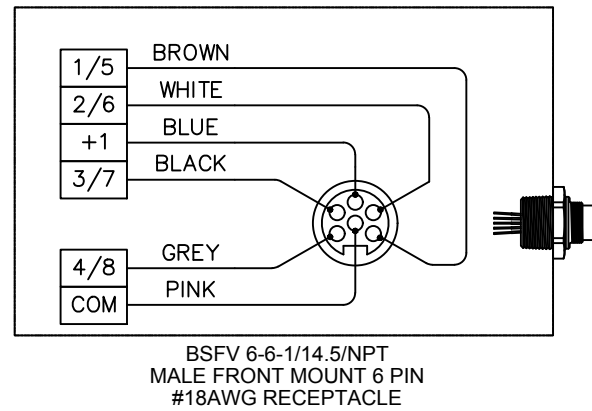
FIELD DEVICE DETAIL

START LIGHT

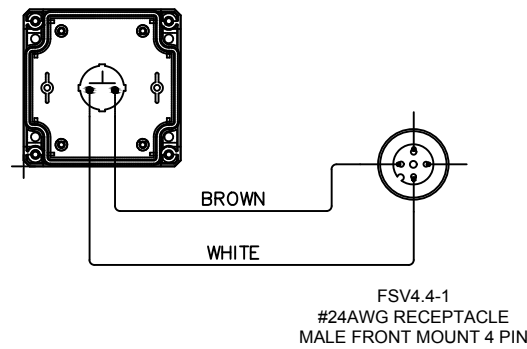


TOP VIEW

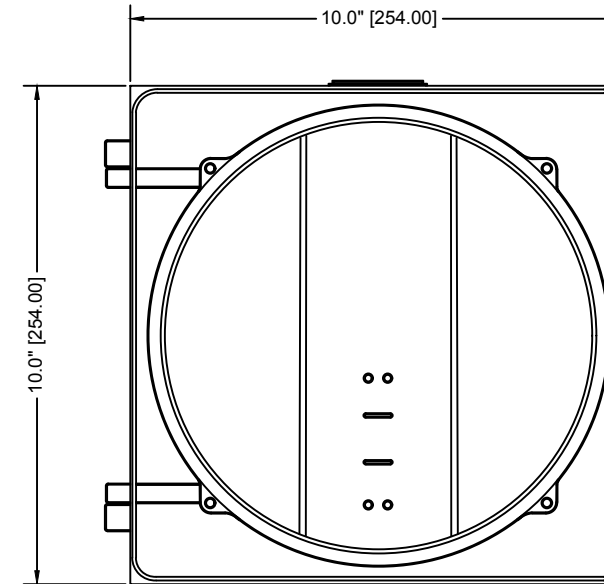
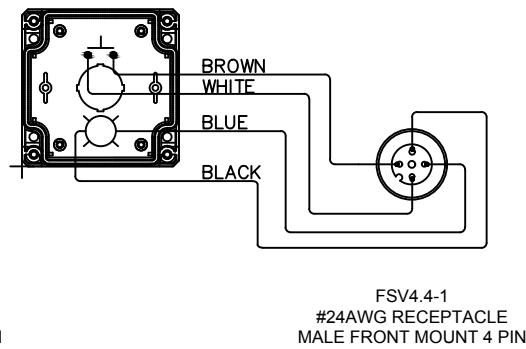
SENSOR J-BOX



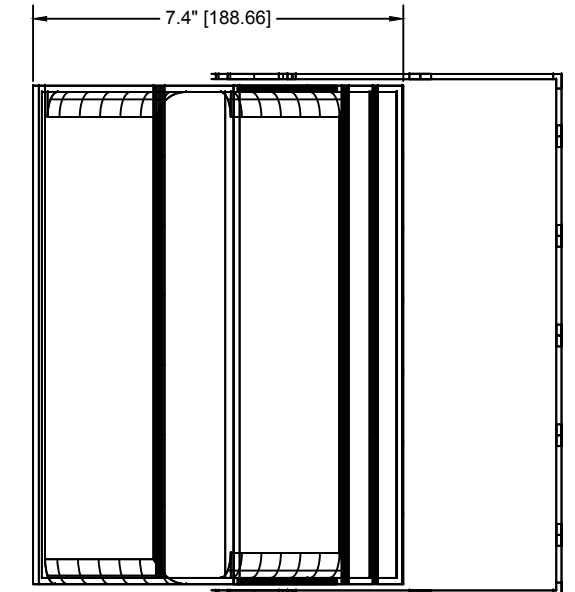
START BUTTON



SLIDE CLEAR PB



FRONT VIEW

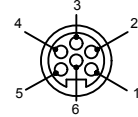


SIDE VIEW

TLS - LC3-8M24VDC
START LIGHT ENCLOSURE

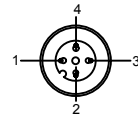
PIN DETAILS

BSFV 6-6-1/14.5/NPT
MALE FRONT MOUNT 6 PIN
#18AWG RECEPTACLE



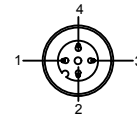
- 1 = BROWN
- 2 = WHITE
- 3 = BLUE
- 4 = BLACK
- 5 = GREY
- 6 = PINK

FSV4.4-1
MALE FRONT MOUNT 4 PIN
#24AWG RECEPTACLE



- 1 = BROWN
- 2 = WHITE

FSV4.4-1
MALE FRONT MOUNT 4 PIN
#24AWG RECEPTACLE



- 1 = BROWN
- 2 = WHITE
- 3 = BLUE
- 4 = BLACK

NOTES: 1. THIS LIGHTS COMES WITH FLYING LEADS, AS FOLLOWS:
BLACK - COM
RED - RED
LIGHT YELLOW - YELLOW LIGHT
BLUE - GREEN LIGHT

2. BULKHEADS MOUNTED TO THE BACK OF THE LIGHTS HOUSING
FEMALE ON TOP, KEY TO THE RIGHT SIDE; MALE ON BOTTOM,
KEY TO THE LEFT SIDE.

PRODUCT

MULTI-LANE RACER

DRAWN	SJF	DATE	09/28/2019	SCALE	NONE	JOB NO.	REV.
CHECKED	JMM	DATE	09/28/2019				A1

DRAWING TITLE

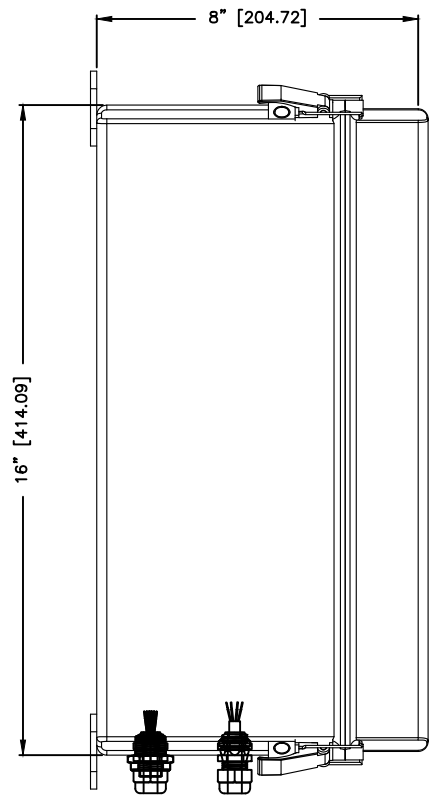
FIELD DEVICE DETAIL

DWG. NO.

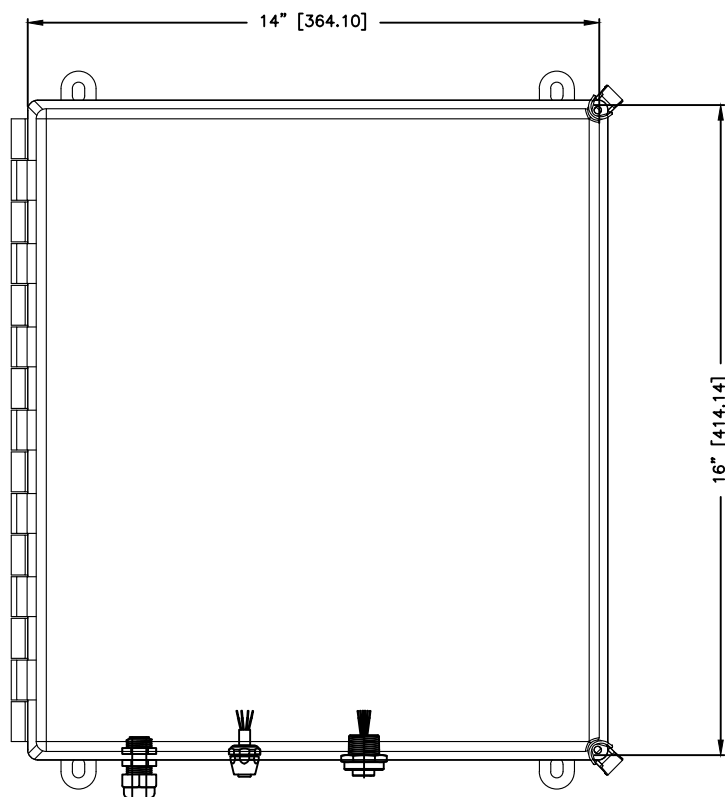
MLR-UCP-007



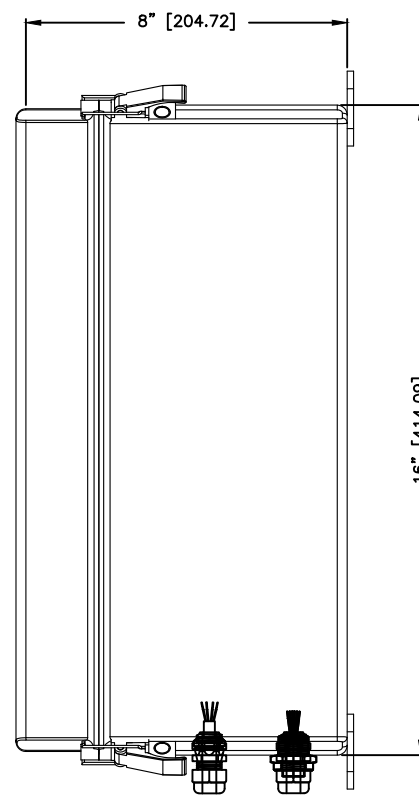
REV.	DATE	DESCRIPTION	BY



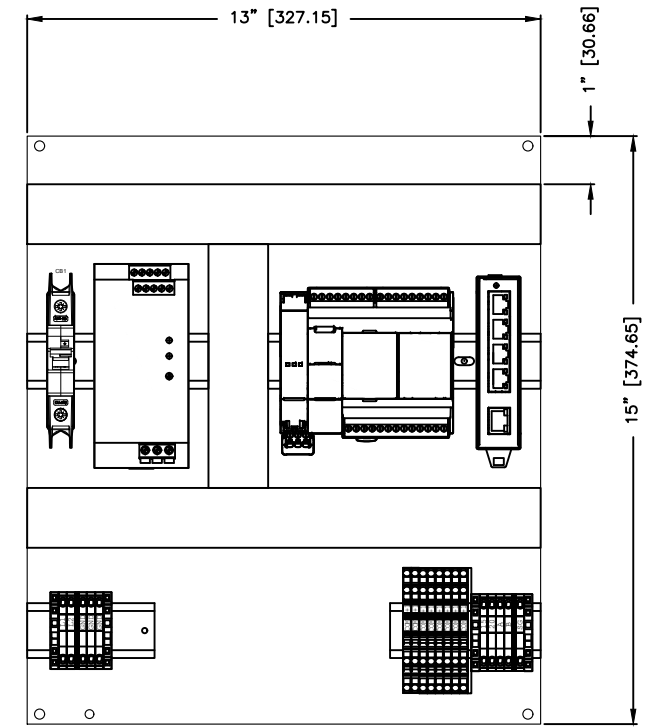
SIDE VIEW



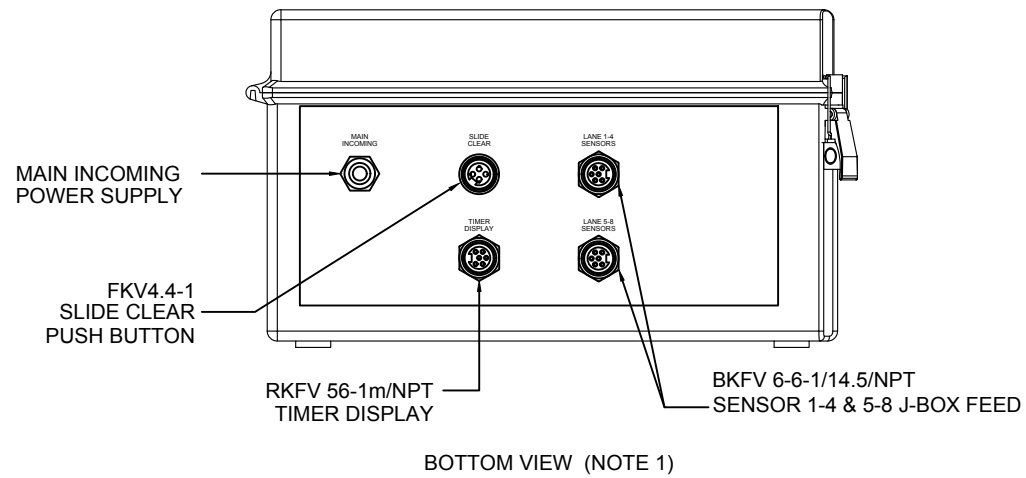
FRONT VIEW



SIDE VIEW



BACK PANEL VIEW



NOTES: PLEASE REFER MLR-NP-014 FOR ENCLOSURE NAMEPLATE DETAILS.

PRODUCT

MULTI-LANE RACER

DRAWN	SJF	DATE	09/28/2019	SCALE	NONE	JOB NO.		REV.	A1
CHECKED	JMM	DATE	09/28/2019						

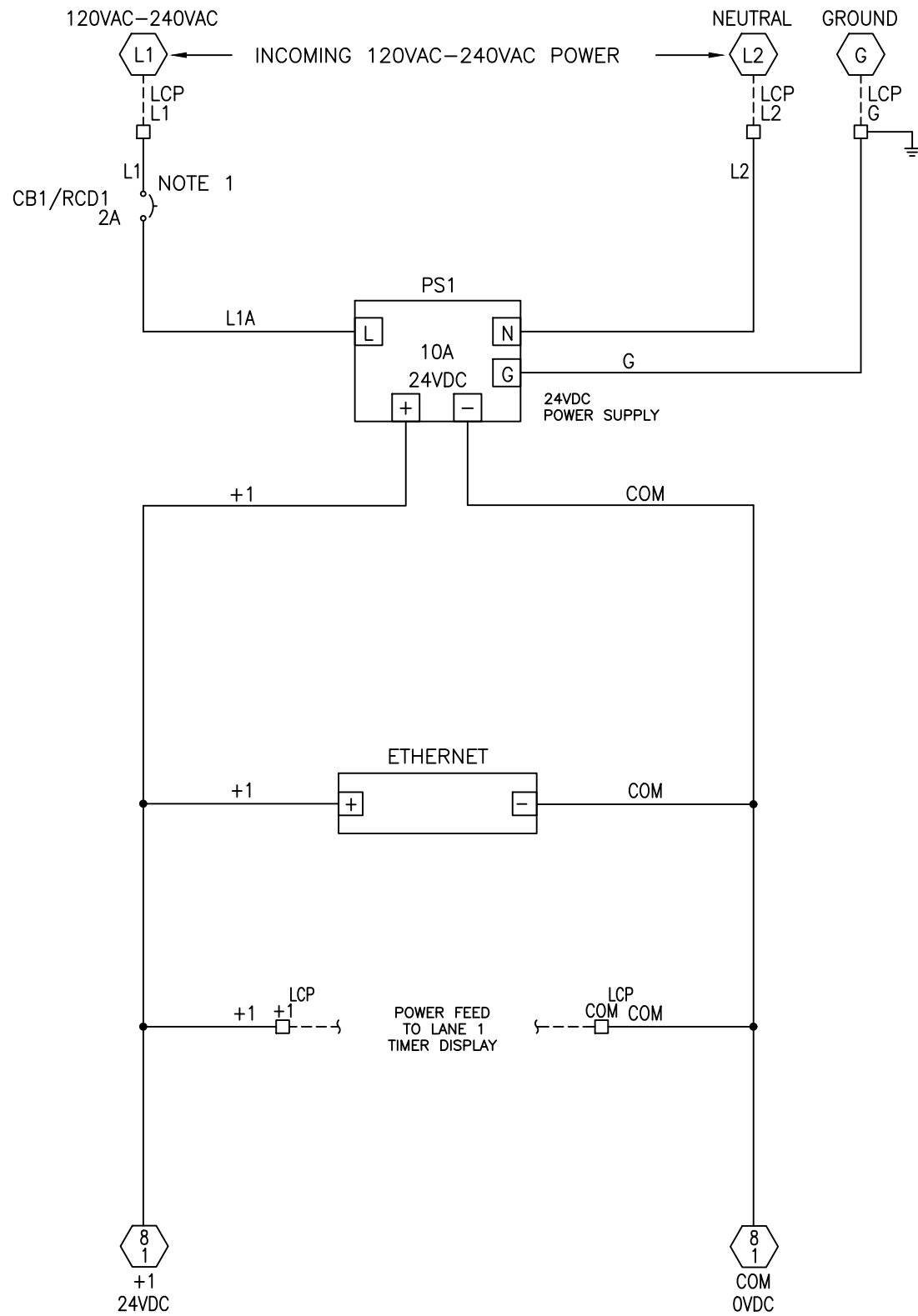
DRAWING TITLE: LOWER CONTROL PANEL DWG. NO.: MLR-LCP-008



REV.	DATE	DESCRIPTION	BY

1
2
3
4
5
6
7
8
9
10
11
12
13
14
15
16
17

18
19
20
21
22
23
24
25
26
27
28
29
30
31
32
33
34



NOTES:

CB1/RCD1 - UL489, 1P, 2A

PRODUCT

MULTI-LANE RACER



DRAWN

SJF

DATE

09/28/2019

SCALE

NONE

JOB NO.

REV.

A1

CHECKED

JMM

DATE

09/28/2019

DRAWING TITLE

SCHEMATIC

DWG. NO.

MLR-LCP-009

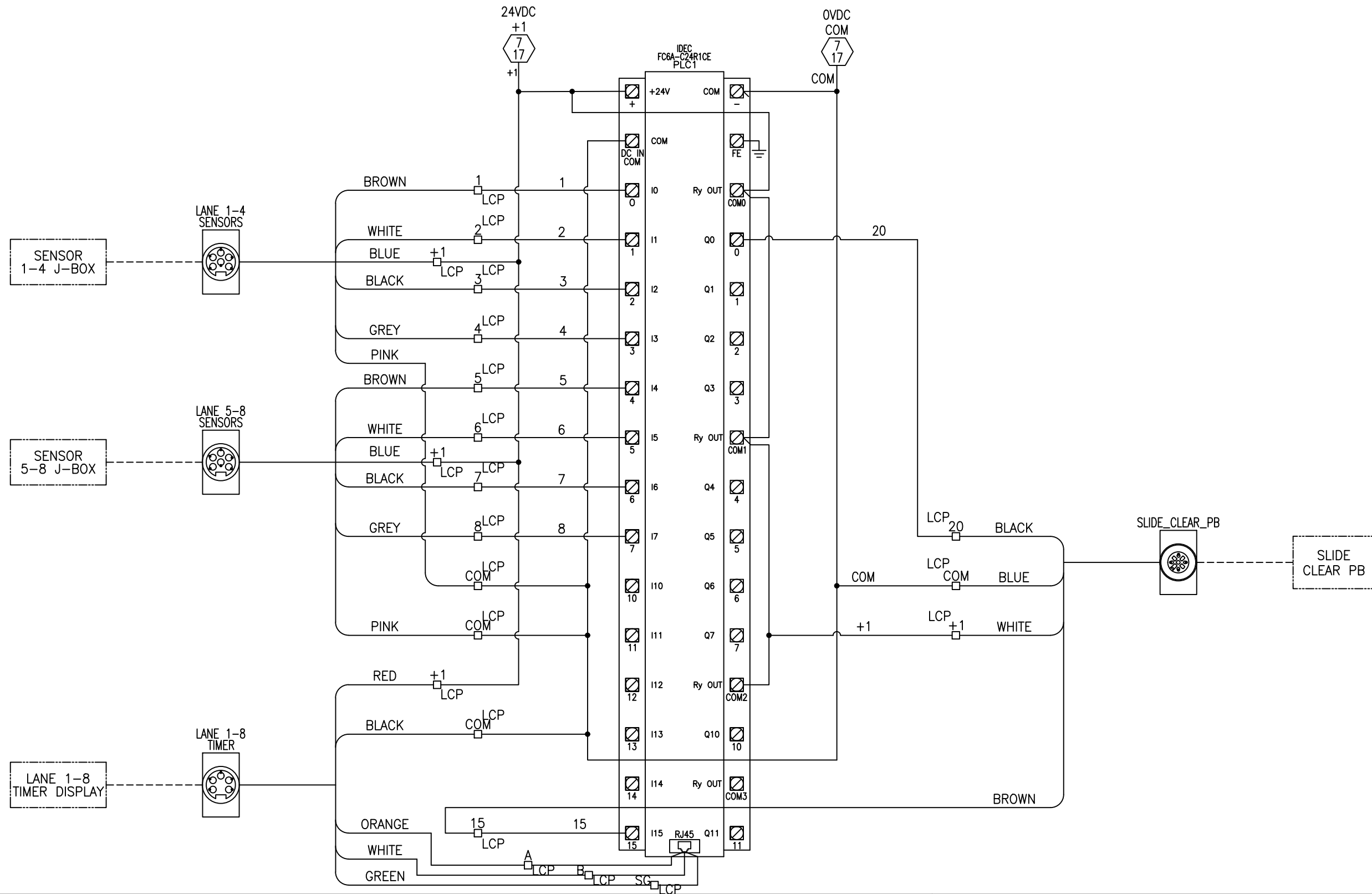
REV.

DATE

DESCRIPTION

BY

- 1
- 2
- 3
- 4
- 5
- 6
- 7
- 8
- 9
- 10
- 11
- 12
- 13
- 14
- 15
- 16
- 17



NOTES:

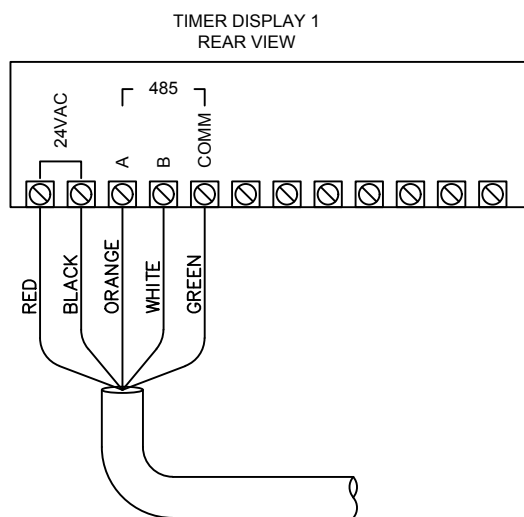
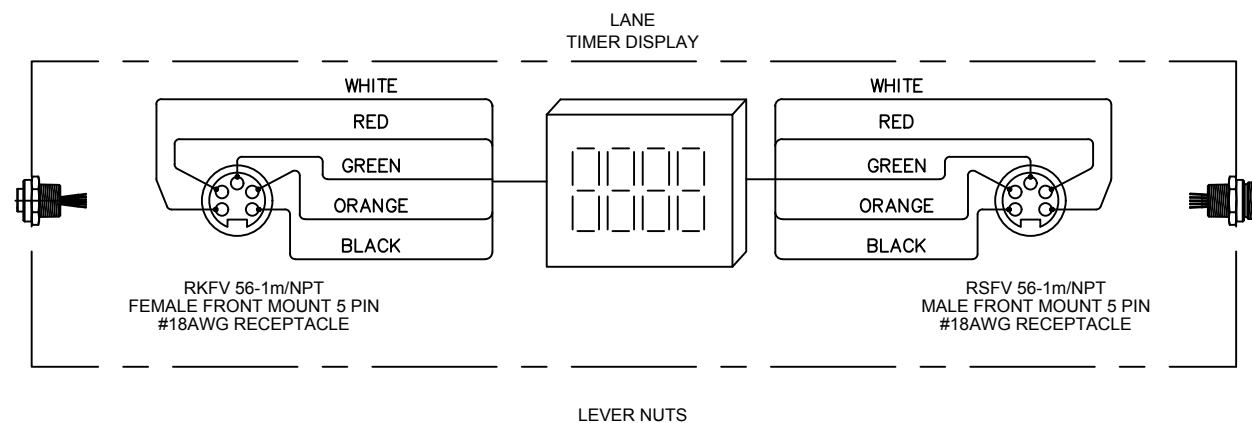
PRODUCT
MULTI-LANE RACER



DRAWN	SJF	DATE	09/28/2019	SCALE	NONE	JOB NO.	REV.	A1
CHECKED	JMM	DATE	09/28/2019					
DRAWING TITLE						DWG. NO.		
SCHEMATIC						MLR-LCP-010		

REV.	DATE	DESCRIPTION	BY

FIELD



NOTES:
1. BULKHEAD TO BE MOUNTED AS FOLLOWS:
FEMALE TOP KEYED RIGHT
MALE BOTTOM KEYED LEFT

PRODUCT

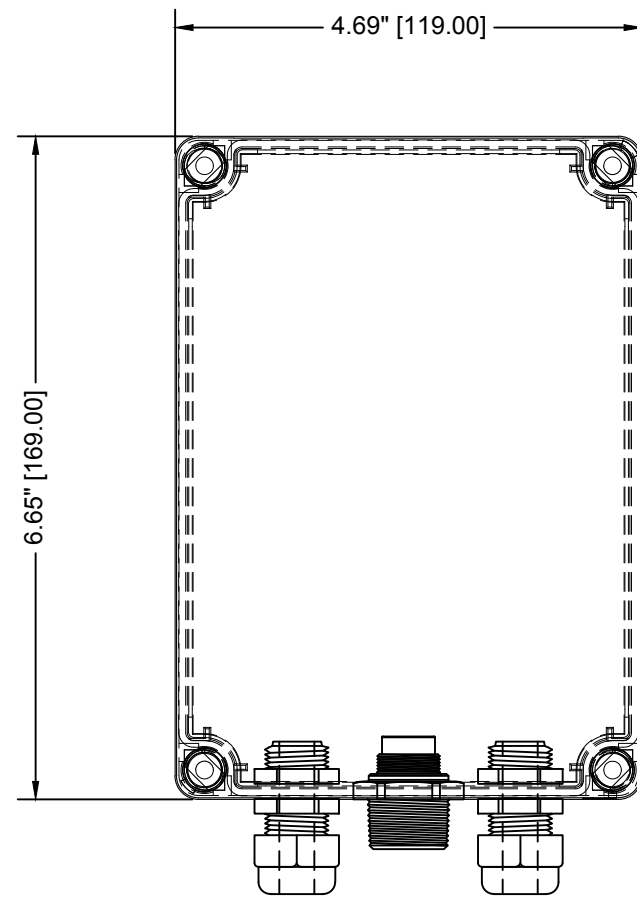
MULTI-LANE RACER



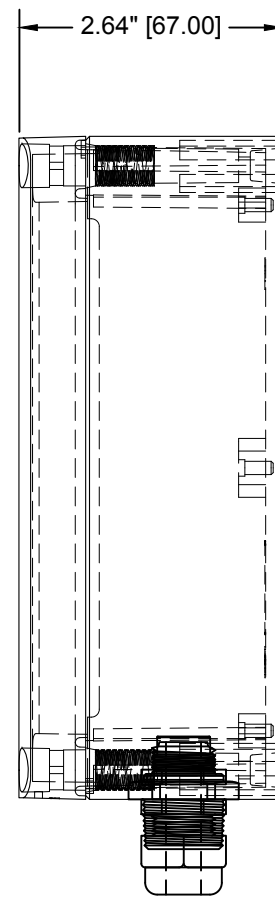
DRAWN	SJF	DATE	09/28/2019	SCALE	NONE	JOB NO.	REV.	A1
CHECKED	JMM	DATE	09/28/2019					

DRAWING TITLE: **INTERCONNECTION DIAGRAM** DWG. NO.: **MLR-LCP-011**

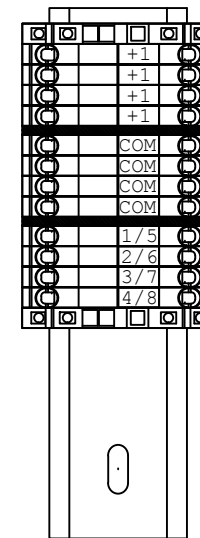
REV.	DATE	DESCRIPTION	BY



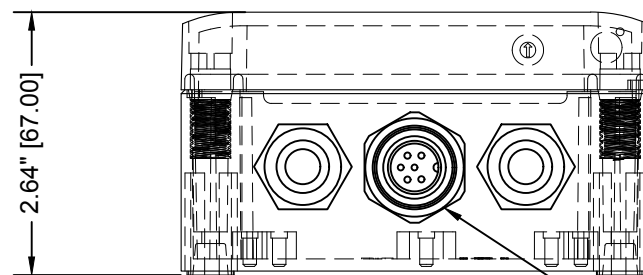
FRONT VIEW



SIDE VIEW



TERMINAL LAYOUT



BOTTOM VIEW

BSFV 6-6-1/14.5/NPT
 MALE FRONT MOUNT 6 PIN #18AWG
 RECEPTACLE
 SENSOR 1-4 J-BOX FEED

NOTES:

PRODUCT

MULTI-LANE RACER

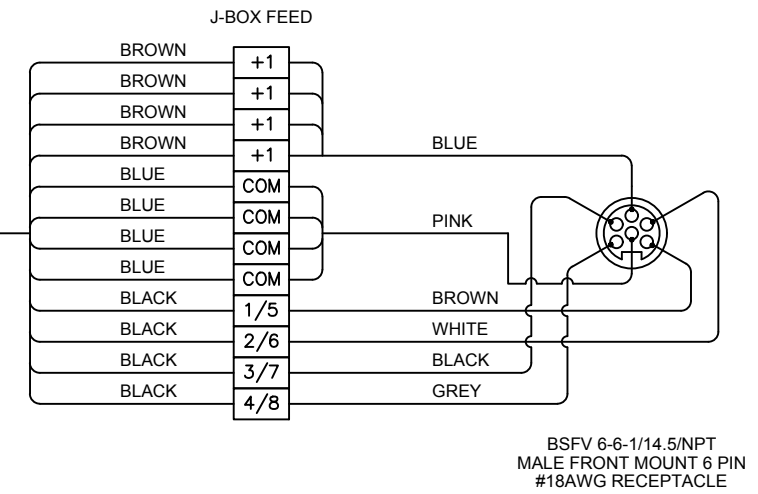
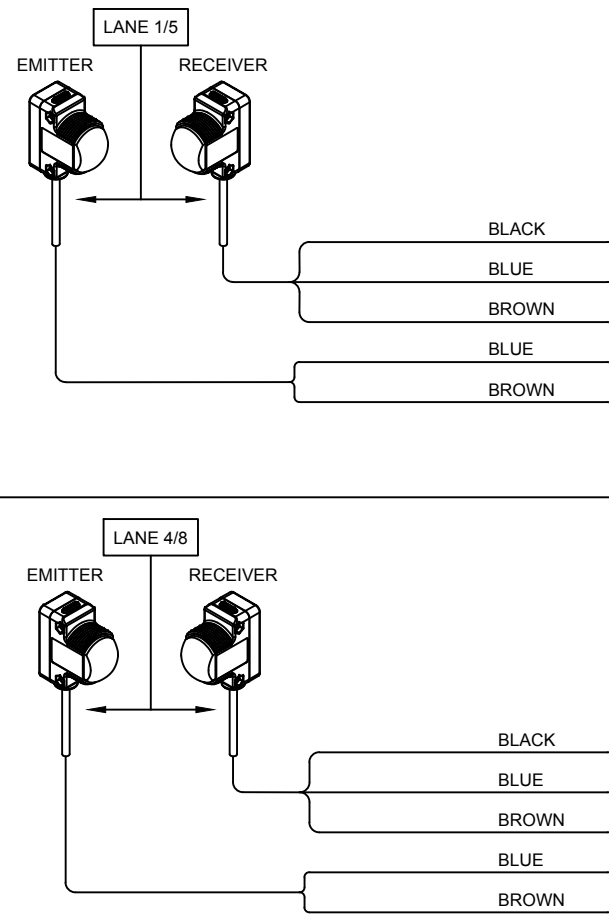
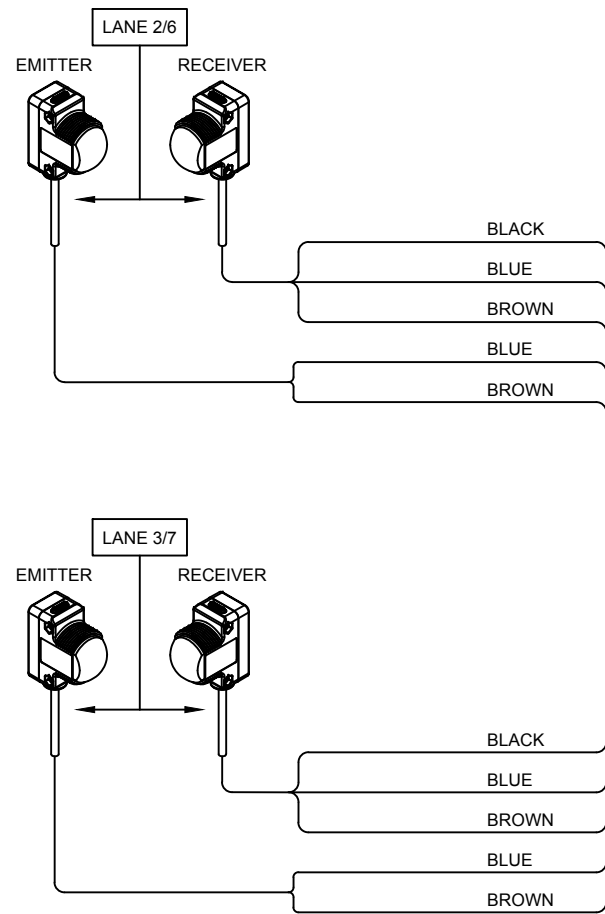
REV.	DATE	DESCRIPTION	BY



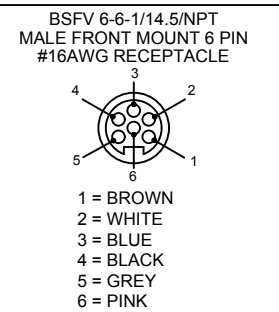
DRAWN	SJF	DATE	09/28/2019	SCALE	NONE	JOB NO.		REV.	A1
CHECKED	JMM	DATE	09/28/2019	DRAWING TITLE		DWG. NO.			
JUNCTION BOX LAYOUT						MLR-JB-012			

FIELD DEVICE DETAIL

SENSOR JUNCTION BOX



PIN DETAILS



NOTES:

PRODUCT

MULTI-LANE RACER

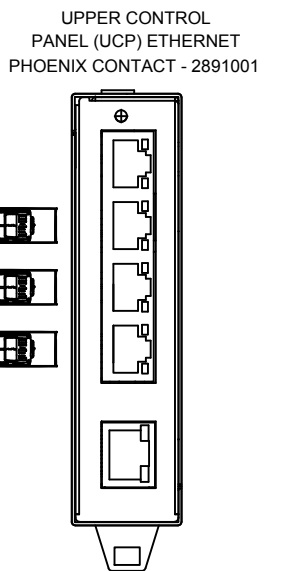
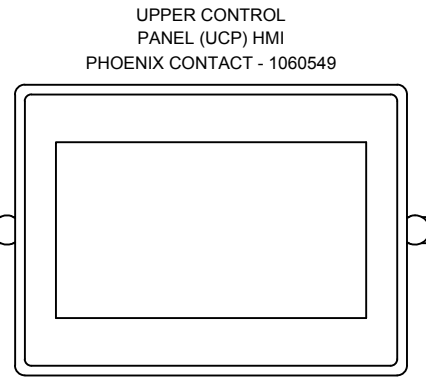
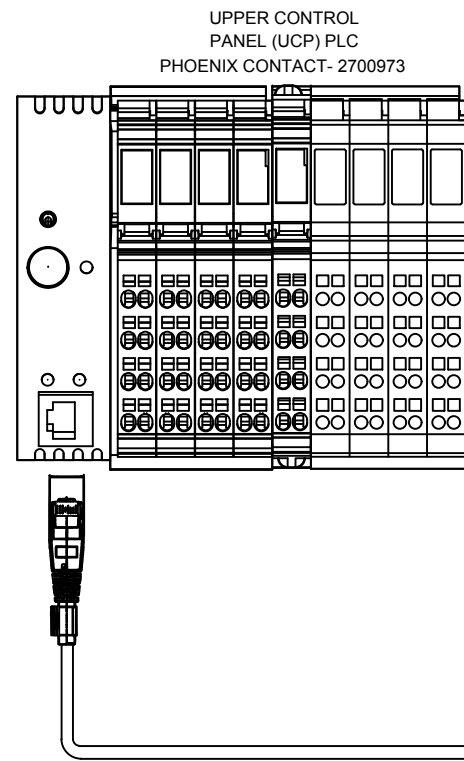
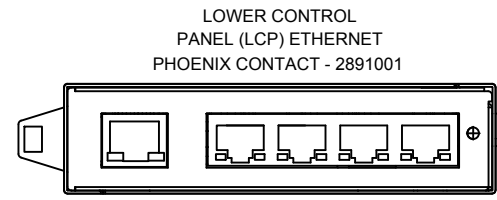
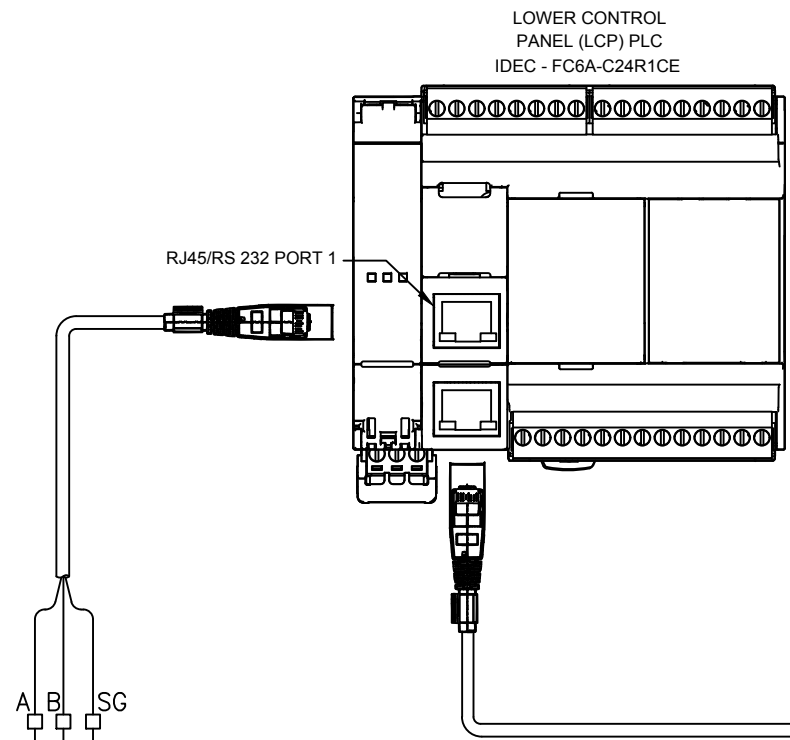


DRAWN	SJF	DATE	09/28/2019	SCALE	NONE	JOB NO.		REV.	A1
CHECKED	JMM	DATE	09/28/2019	DRAWING TITLE		DWG. NO.			
				FIELD DEVICE DETAIL			MLR-JB-013		

REV.	DATE	DESCRIPTION	BY

LOWER CONTROL PANEL (LCP)

UPPER CONTROL PANEL (UCP)



A B SG

RJ45/RS 232 PORT 1

LOWER CONTROL
PANEL (LCP) PLC
IDEC - FC6A-C24R1CE

LOWER CONTROL
PANEL (LCP) ETHERNET
PHOENIX CONTACT - 2891001

UPPER CONTROL
PANEL (UCP) PLC
PHOENIX CONTACT - 2700973

UPPER CONTROL
PANEL (UCP) HMI
PHOENIX CONTACT - 1060549

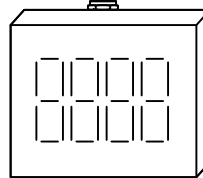
UPPER CONTROL
PANEL (UCP) ETHERNET
PHOENIX CONTACT - 2891001

SUPPLIED BY CUSTOMER,

NOTE:- THIS COMMUNICATION CABLE MUST NOT
BE RUN WITH HIGH VOLTAGE.

FIELD

RSV-RKV-56-5m
5m 5 PIN #16AWG CABLE



LANE
TIMER DISPLAY

TIMER CABLE PINOUT	
RJ45	TERMINAL
4	A
5	B
8	SG

IP ADDRESSES

LOWER PLC	UPPER PLC	HMI	SUBNET MASK	GATEWAY
172.23.11.2	172.23.11.1	172.23.12.1	255.255.0.0	172.23.0.1

NOTES:

PRODUCT

MULTI-LANE RACER

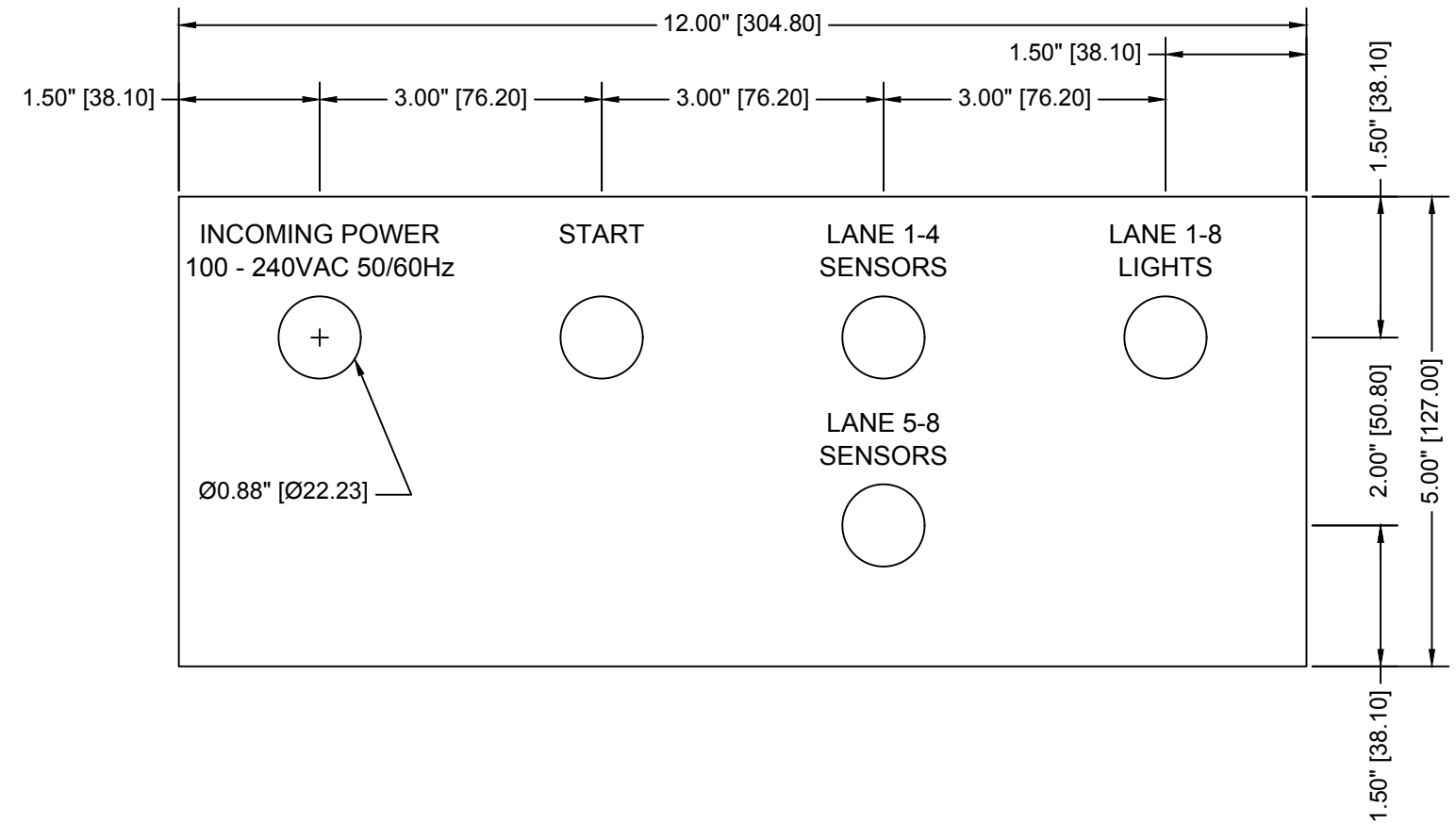
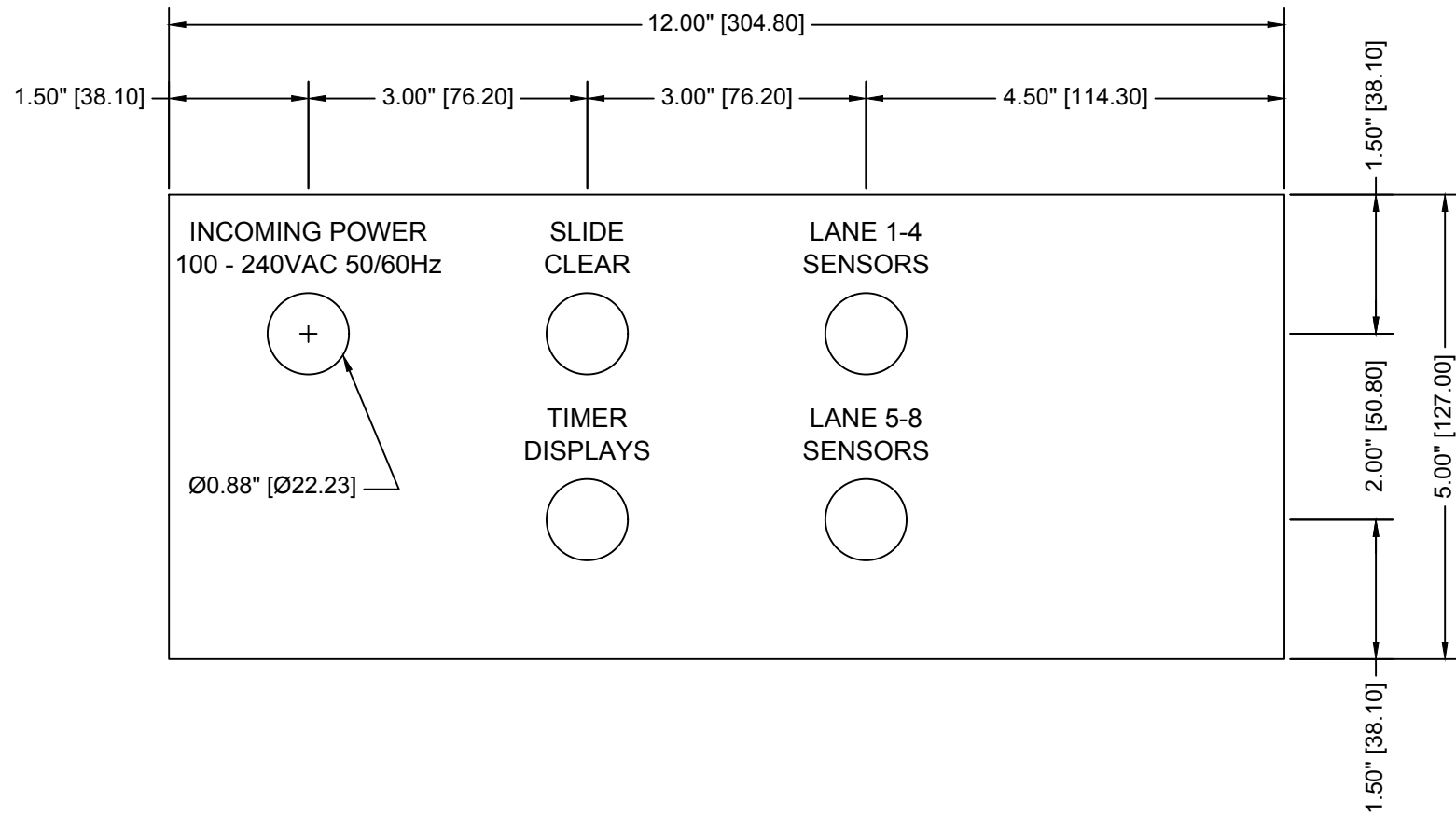


DRAWN	SJF	DATE	09/28/2019	SCALE	NONE	JOB NO.		REV.	A1
CHECKED	JMM	DATE	09/28/2019	DRAWING TITLE					
COMMUNICATION DETAILS						DWG. NO.			
MLR-COMM-014									

REV.	DATE	DESCRIPTION	BY

LOWER CONTROL PANEL (LCP)

UPPER CONTROL PANEL (UCP)



NOTES:

PRODUCT

MULTI-LANE RACER

REV.	DATE	DESCRIPTION	BY



DRAWN	SJF	DATE	09/28/2019	SCALE	NONE	JOB NO.		REV.	A1
CHECKED	JMM	DATE	09/28/2019	DRAWING TITLE					
NAMEPLATE DETAILS						DWG. NO.			
						MLR-NP-015			